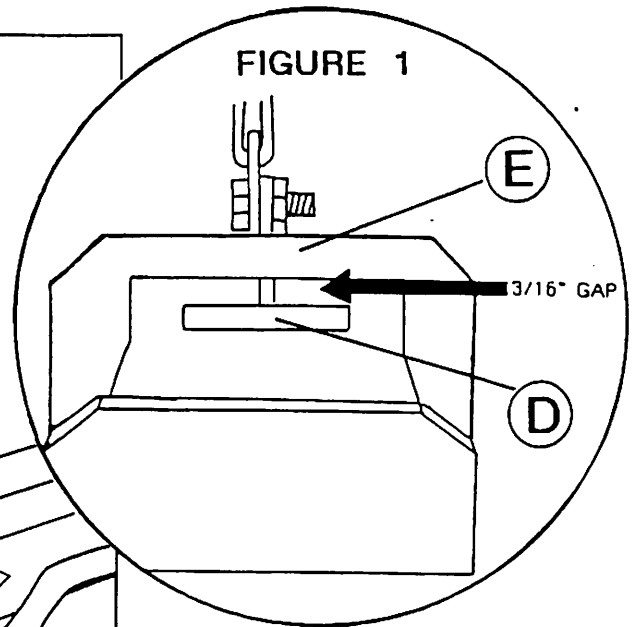
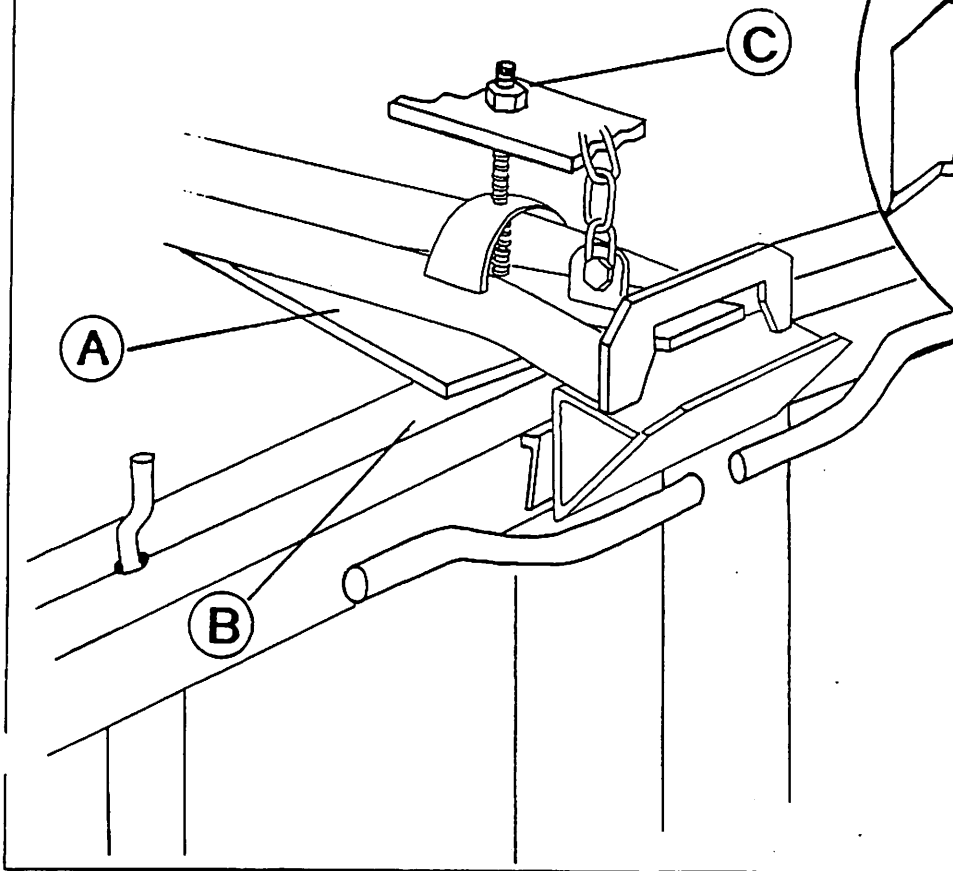


HEADGATE LATCH ADJUSTMENT



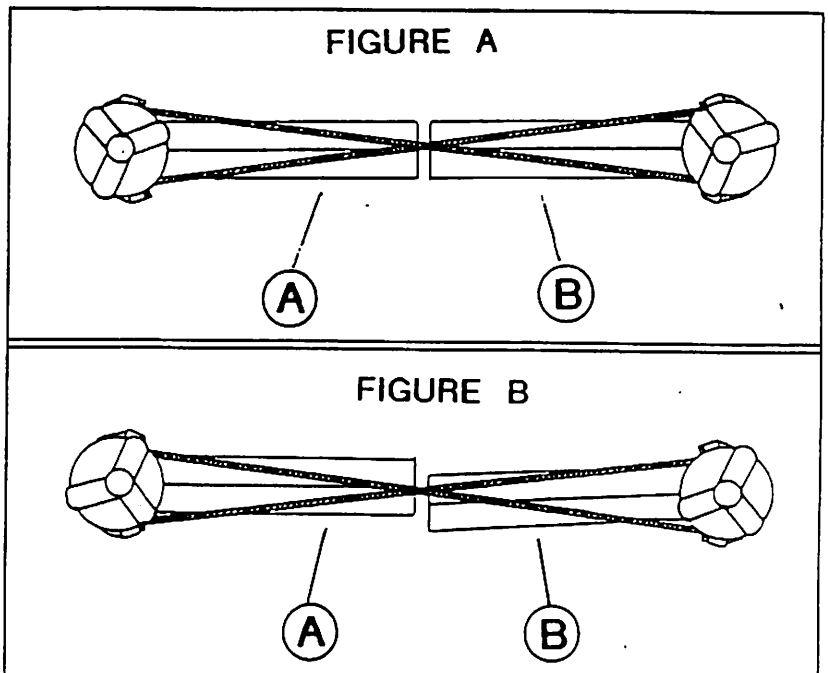
Raise latch and position headgate stanchion so lower latch (A) can rest on stanchion top (B)

With lower latch plate resting on stanchion top, adjust spring bolt nut (C) until the latch tongue (D) is separated from the top of the horseshoe latch (E) by a 3/16" gap.

See detail in figure 1

CABLE ADJUSTMENT

Headgate cables must be adjusted so stanchions (A) and (B) are synchronized and in perfect alignment (see figure A)



CAUTION:

WHEN STANCHIONS (A) AND (B) ARE NOT IN PERFECT ALIGNMENT (FIGURE B) LATCH WILL NOT ENGAGE PROPERLY, RESULTING IN CABLE BREAKAGE.